

Dynamometer 05TX/RX with RX hand read receiver



Includes plastic case, manual and calibration report.

Mechanical properties

- Aluminum housing.
- Alloy steel pulling unit.
- Test load 2 x WLL (without derailment of tensile force unit).
- Safety factor 5 x WLL.
- International Protection Rating / Ingress Protection: IP65 (EN60529).

Electrical specifications

- Alkaline battery (3 x AA type).
- Battery operating time approx. 180 hours.

Electronic specifications

- Operating temperature between -5° C to + 55° C.
- Accuracy up to approx. 0.1% of the reading value.
- Battery indicator.

RX-PORT electrical specifications

- Alkaline batteries (3 x AA type).
- Stand time approx. 150 hours.
- Battery indicator.

RX-PORT electronic specifications

- LCD display with 5 positions, 12 mm digit height.
- 868 MHz frequency control.
- Operating temperature between -5° C to + 55° C.
- RS232 port for printer or PC connection.

TX-LOAD electrical specifications

- Transmission range max. 50m.

TX-LOAD electronic specifications

- 868 MHz frequency control.

Standard delivery

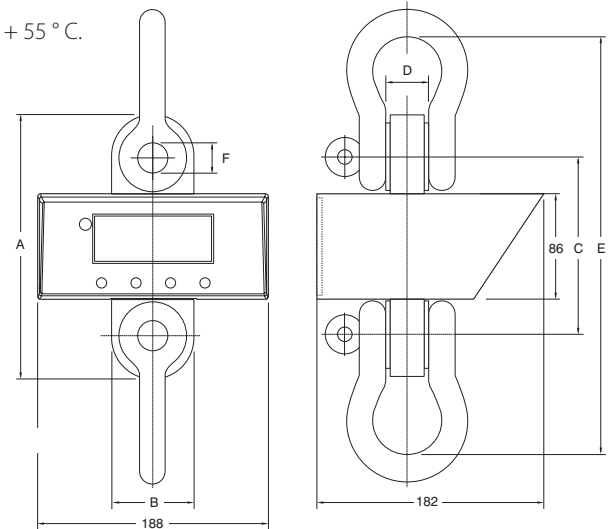
- Bow shackles.
- Remote control.

Option

- Bow shackle from 10T.

Norm:

- EN12100-1/2, EMC2004/108/EG, EN13155, EN13889



Type	WLL (kg)	Resolutie (kg)	A (mm)	B (mm)	C (mm)	D (mm)	E (mm)	F (mm)	Bow shackle (t)	Weight (kg)	ProductId
DSD05TX/RX-3.2T	3200	1	199	69	130	25	269	20	3.25 in.	4.7	1513005
DSD05TX/RX-6.3T	6300	2	213	69	144	35	348	26	6.5 in.	7.0	1513007
DSD05TX/RX-10.0T	10000	5	265	100	181	50	455	36	12 ex.	9.6	1513009